

### Input data

System of measurement		Metric
Input type		Gear motor
Input speed	[rpm]	1400
Output speed	[rpm]	4.5
Ratio (i=)		310.8
Frequency	[Hz]	50
Input options		IEC
Requested input power	[kW]	0.13
Service factor		1
Rated Power P1	[kW]	0.13

### Output data

<b>Gear unit</b>	<b>M RA 63/50 PC 10 310.8 63 B14 AC 24 MT 0.13 kW 63 A4 B14 X3 B3</b>
------------------	---

Type		RA - Worm speed reducers
Input type		M
Size		63/50
Ratio (i=)		310.8
Gearbox ratio		40.00
Pre-stage ratio		7.77
Input flange		B14
Mounting position		B3
Input speed	[rpm]	1400
Output speed	[rpm]	4.5
Rated output torque	[Nm]	129.54
Service Factor		1
Efficiency		0.47
Inertia moment	[kgm <sup>2</sup> ]	0.000019

#### Gear unit configuration

Output shaft		Hollow output shaft
Fixing		Shaft mounting
Version		PC
Attachment position		10

#### Output radial and axial loads

Ball bearings output radial load	[N]	3200
Taper bearings output radial load	[N]	4200
Ball bearings output axial load	[N]	640
Taper bearings output axial load	[N]	840

#### Accessories

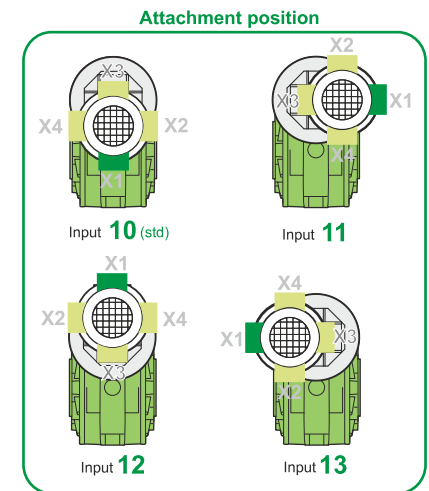
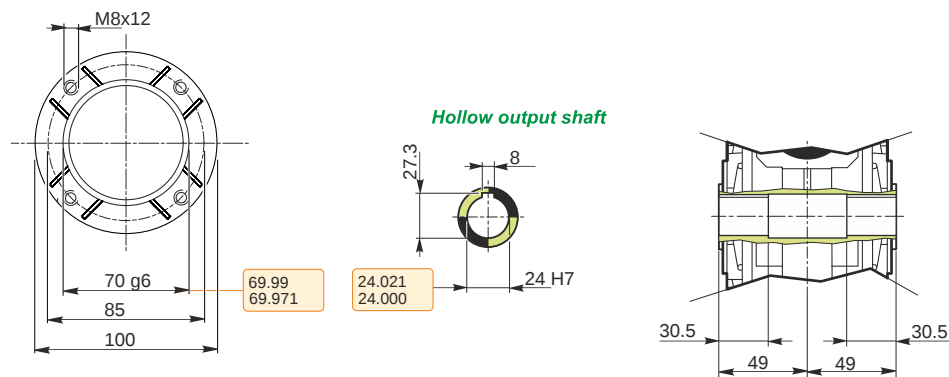
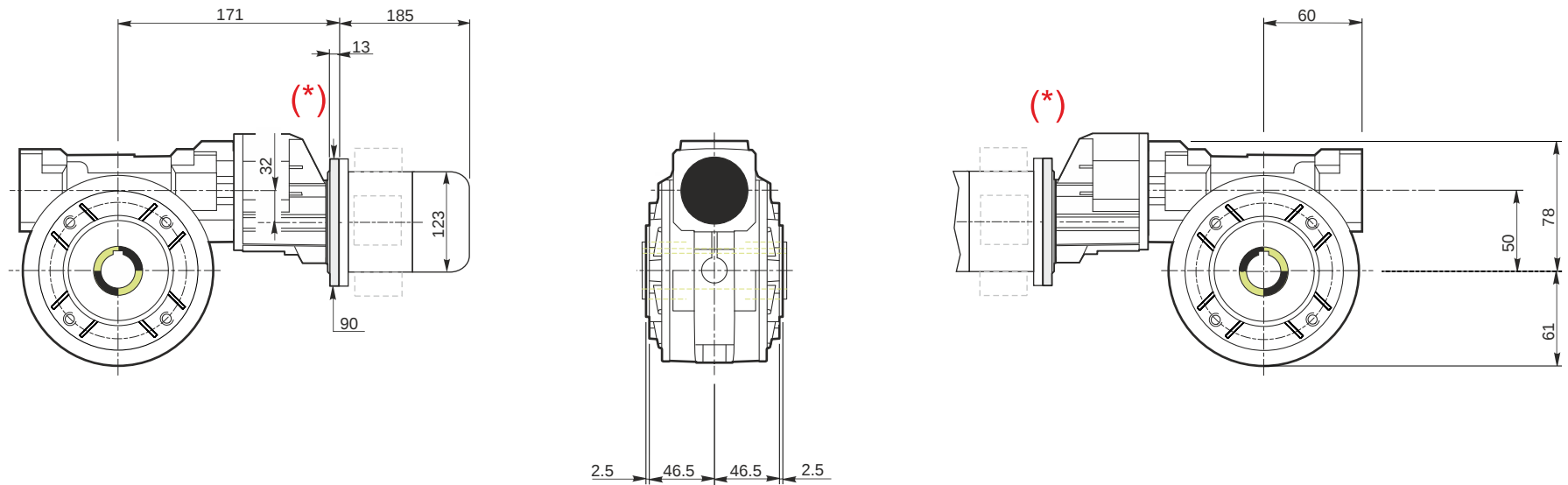
Hollow output shaft		AC 24
---------------------	--	-------

#### Electric motor

Size		63 A4
Poles		4
Power	[kW]	0.13

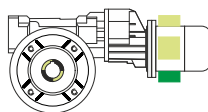
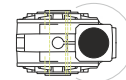
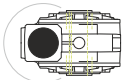
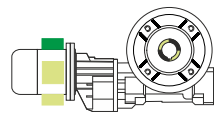
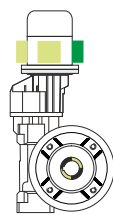

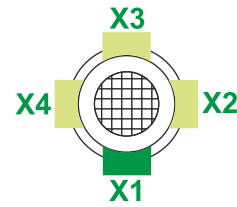
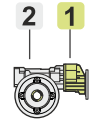
#### Electric motor configuration

Motor flange		B14
Terminal box position		X3



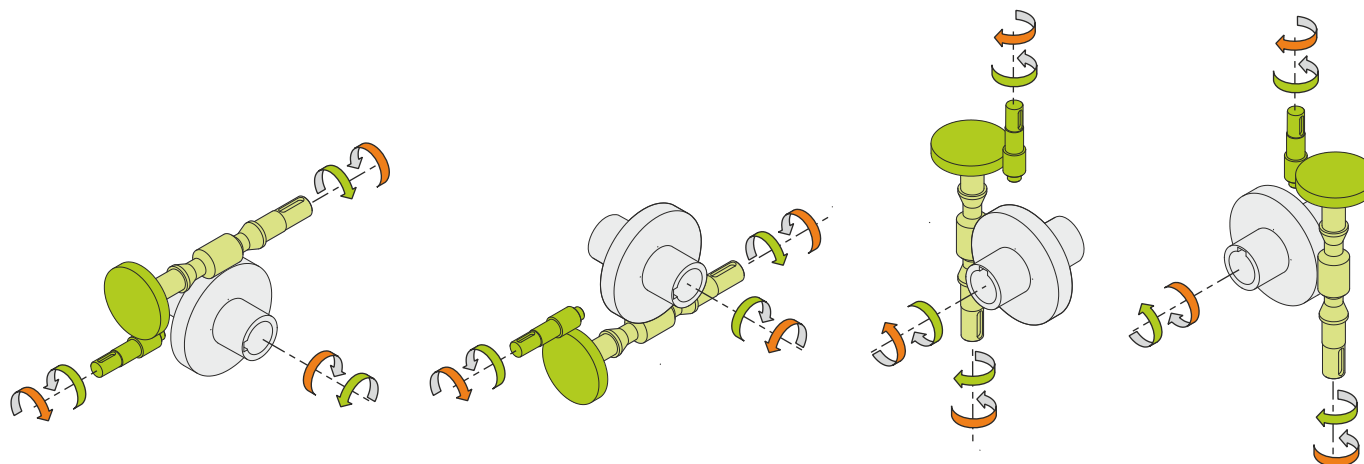
**M RA 63/50 PC 10 310.8 63 B14 AC 24 MT 0.13 kW 63 A4 B14 X3 B3**

### Mounting positions

<b>B3</b>	<b>B6</b>	<b>B7</b>	<b>B8</b>	<b>V5</b>	<b>V6</b>	<b>Terminal box position</b>
						
			0.04	<b>1</b>		
			0.13	<b>2</b>		
						← Oil quantity [litres]

Lubricant type: Long life synthetic oil ISO VG320

### Direction of rotation



### Weight

Gear unit [kg]	5.3
Electric motor [kg]	4.3

### Gearing data

Axial module	1.9
Number of starts	1
Lead angle	4° 31'
Pressure angle	20°

### Backdriving

Static self-locking  
Slow back-driving in case of vibrations  
Low dynamic back-driving