

### Input data

System of measurement		Metric	
Input type		Gear motor	
Input speed	[rpm]	1400	
Output speed	[rpm]	4.51	
Ratio (i=)		310.4	
Frequency	[Hz]	50	
Input options		IEC	
Requested input power	[kW]	1.1	
Service factor		0.7	<b>Warning! The torque generated by the selected motor is above the gearbox rated output torque; please refer to the gearbox rated output torque.</b>
Rated Power P1	[kW]	0.78	

### Output data

<b>Gear unit</b>	<b>M RA 100/110 PC 10 310.4 90 B14 AC 42 MT 1.1 kW 90 S4 B14 X3 B3</b>		
------------------	--	--	--

Type		RA - Worm speed reducers
Input type		M
Size		100/110
Ratio (i=)		310.4
Gearbox ratio		80.00
Pre-stage ratio		3.88
Input flange		B14
Mounting position		B3
Input speed	[rpm]	1400
Output speed	[rpm]	4.51
Rated output torque	[Nm]	740
Service Factor		0.7
Efficiency		0.45

#### Gear unit configuration

Output shaft		Hollow output shaft
Fixing		Shaft mounting
Version		PC
Attachment position		10

#### Output radial and axial loads

Ball bearings output radial load	[N]	9800
Taper bearings output radial load	[N]	11100
Ball bearings output axial load	[N]	1960
Taper bearings output axial load	[N]	2220

#### Accessories

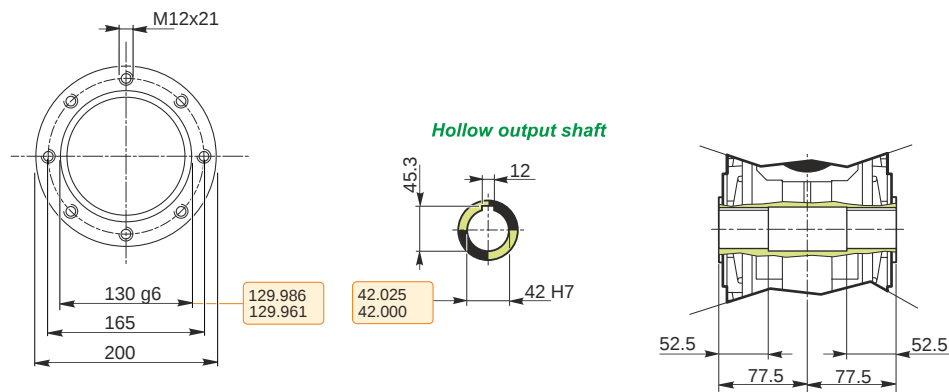
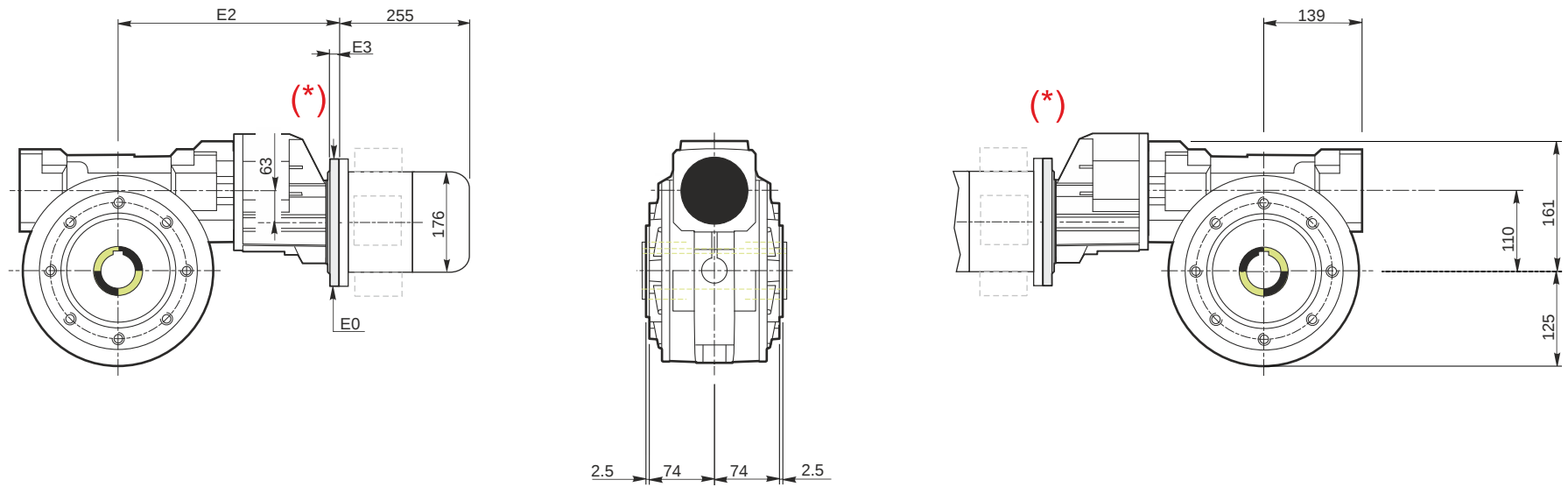
Hollow output shaft		AC 42
---------------------	--	-------

#### Electric motor

Size		90 S4
Poles		4
Power	[kW]	1.1

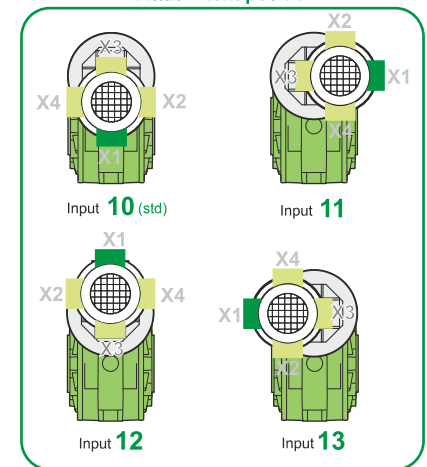
#### Electric motor configuration

Motor flange		B14
Terminal box position		X3



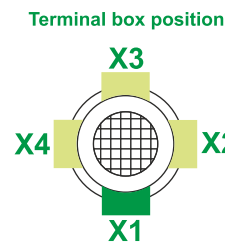
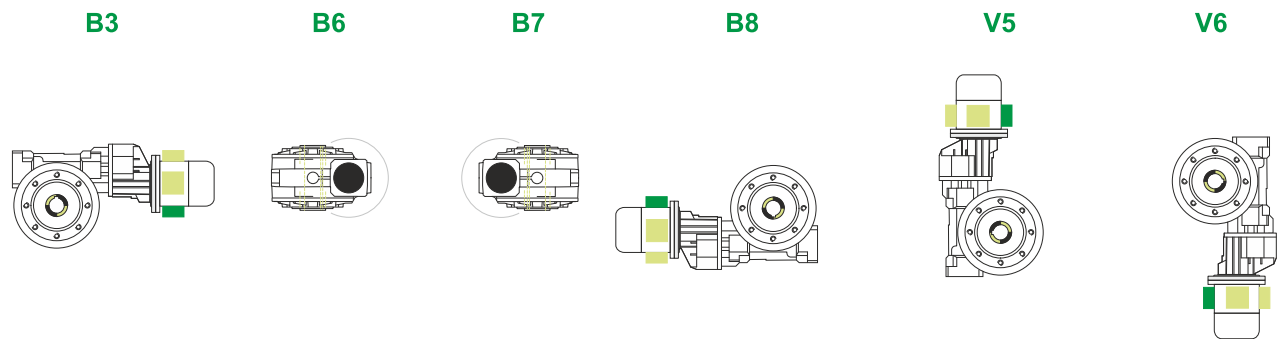
Hollow output shaft

Attachment position



**M RA 100/110 PC 10 310.4 90 B14 AC 42 MT 1.1 kW 90 S4 B14 X3 B3**

### Mounting positions

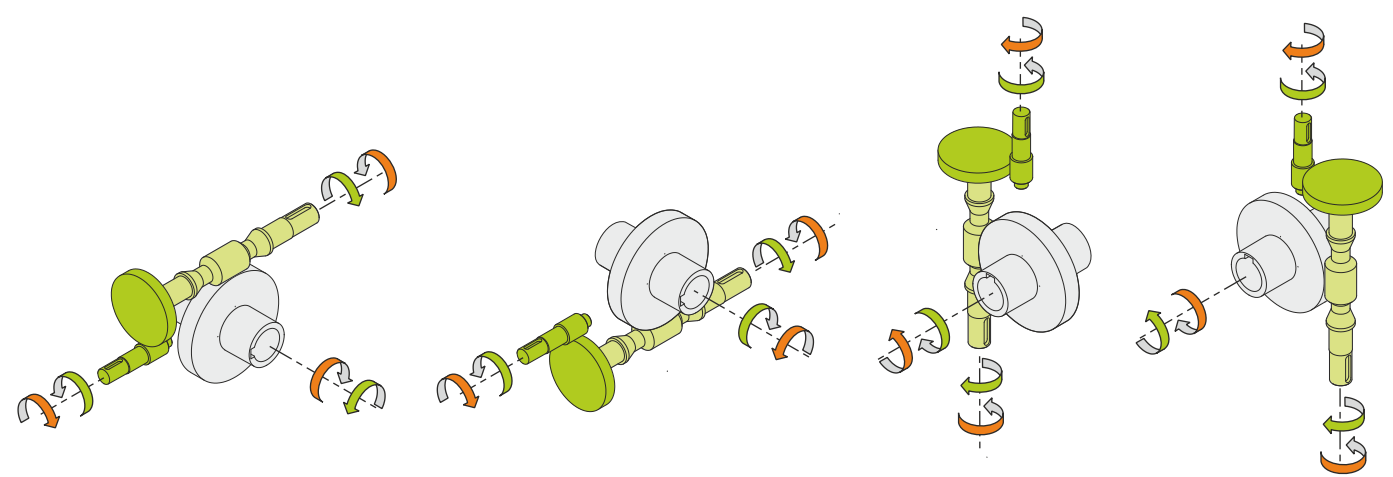


0.2	1
1.5	2



Lubricant type: Long life synthetic oil ISO VG320

### Direction of rotation



### Weight

Gear unit [kg]	46
Electric motor [kg]	12

### Gearing data

Axial module	2.3
Number of starts	1
Lead angle	3° 39'
Pressure angle	20°

### Backdriving

Static self-locking  
Slow back-driving in case of vibrations  
Low dynamic back-driving

**M RA 100/110 PC 10 310.4 90 B14 AC 42 MT 1.1 kW 90 S4 B14 X3 B3**